



## Installation Manual – Gable Vents

Thank You for you for purchasing SnapTight Products Gable Vent. These gable vents can be used as a decorative accent to your home or business or for functional attic space ventilation. Gable Vents are designed to be installed on the gable end of a building to provide air movement in the attic space.

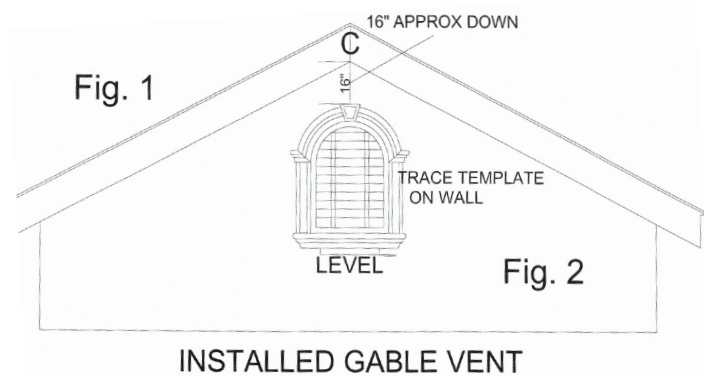
### Materials and Tools Needed

- Tape Measure
- Level
- Marker/Pencil
- Saw
- Caulk gun
- Loctite 3x Grab construction adhesive
- Big Stretch Caulk

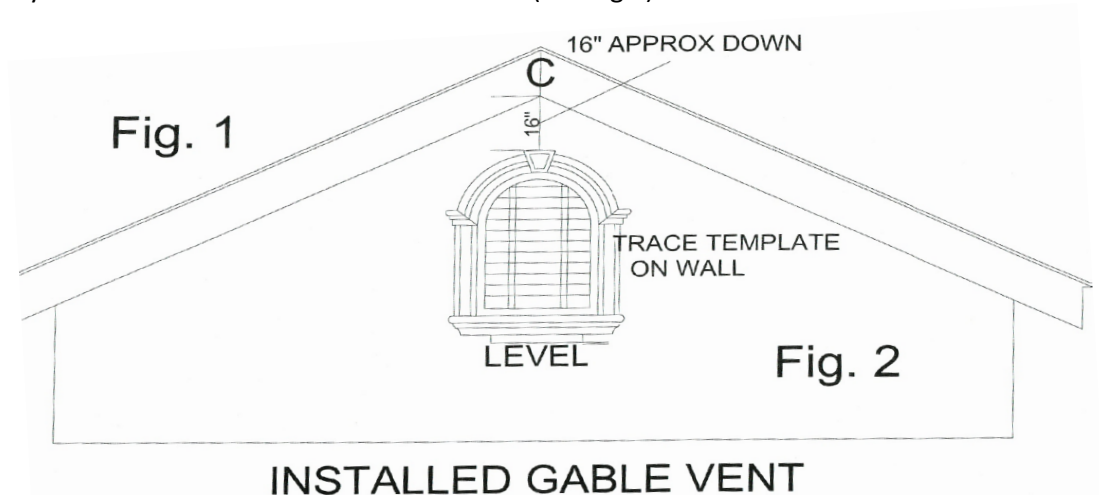
### Included with Gable Vent

- \* Gable Vent with Screen
- \* Two Metal Cleats
- \* Six 3" Grabber Screws
- \* Template
- \* Instruction Manual
- \* Care and Maintenance Guide

1. Find the center of your gable for placement of the gable vent. Once you determine the center of the gable, use a level, level down approx. 16" and make a small mark. This will be the center top mark of the gable vent. (See Fig 1)



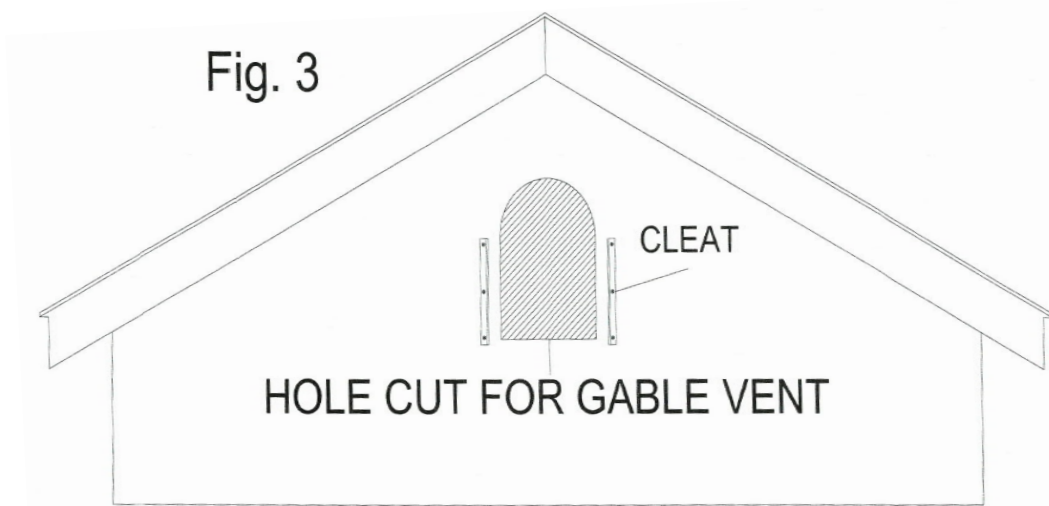
2. Find the center of the top of the gable vent and place a small mark on top of it. Line up the gable vent mark with the mark on the gable end of building (approx. 16" down) hold the gable vent in place and using a level place it on the bottom of the gable vent and level it out. Once it is level lightly trace the outline of the vent to the wall. (See Fig 2)



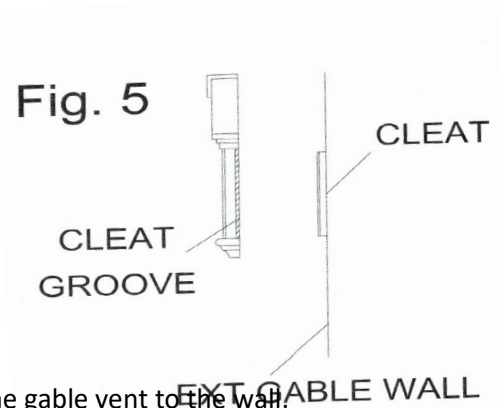
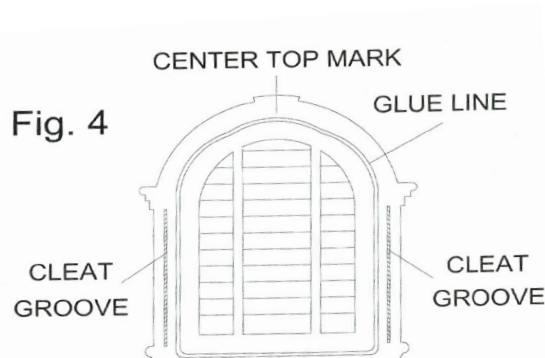
3. If you are simply replacing a gable vent, use the existing cut out hole in the gable wall. If this is new construction then use the provided template and trace out where the cut out needs to go and also trace out where your cleats will go at the same time. Now using a saw cut the sheathing on the gable end being careful not to cut through any structural supports. Remove the sheathing and now you should be able to look into the attic (See Fig 3)

**For A Non-Functional Gable Vent skip step 3.**

4. If you marked out where the cleats go using the template then screw the cleats onto the wall using the screws provided. (See Fig 3)



5. Test fit the gable vent to the cleats and the wall (**Caution do not push the vent onto the wall. This will cause the cleat to enter into the cleat groove and make it hard to remove once the cleats grab to the back. Test fit only**)
6. Staying in approx. 2" away from the outside of the edges of the gable vent on the backside using Loctite 3x grab construction adhesive glue all the way around the perimeter of the gable vent and line the gable vent up with the cleats and simply snap the vent into place overtop of the metal cleats. At this point the gable vent should fit tight to the wall (See Fig 4) (See Fig 5)



7. Apply a small bead of big stretch caulk around the gable vent to the wall.
8. **For Non functional Gable Vent skip step 3.**

***Step back and enjoy your new beautifully installed SnapTight Products Gable Vent.***